



Information technique  
Technical information  
Información técnica

Document n°  
NT 97-01

Subject: CLUTCH LEVER FORCE ADJUSTMENT

Date/Fecha  
20/12/2016

Motocicleta/Motorcycle/Motocyclette

50 2T

80 2T

125 2T

250 2T

290 2T

300 2T

320 4T

## DESCRIPTION

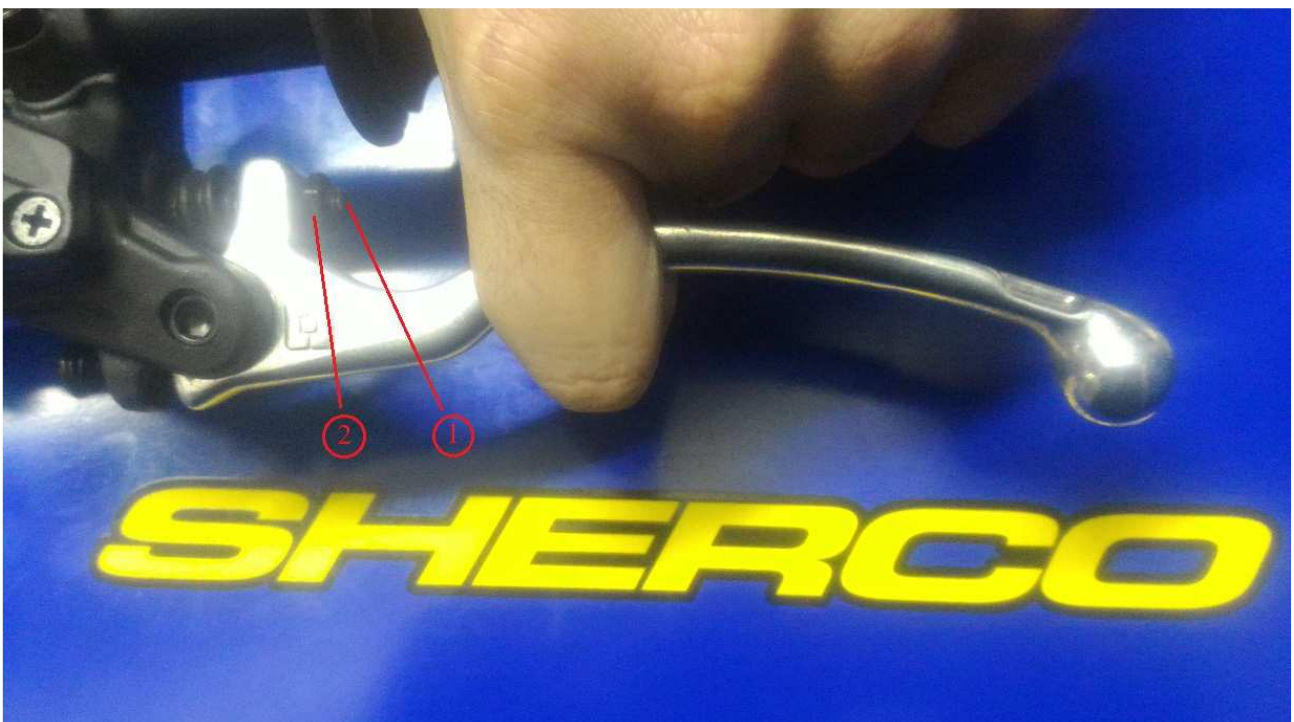
### A. Check the clutch lever adjustment.

1-Unsrew the counter nut

2-Unscrew screw n°1 in order to bring the lever of the handlebar closer together while making sure that the motorcycle completely disengages, and before that the lever is in contact with the other fingers.

3-Tighten the counter nut n°2

Declutch position :





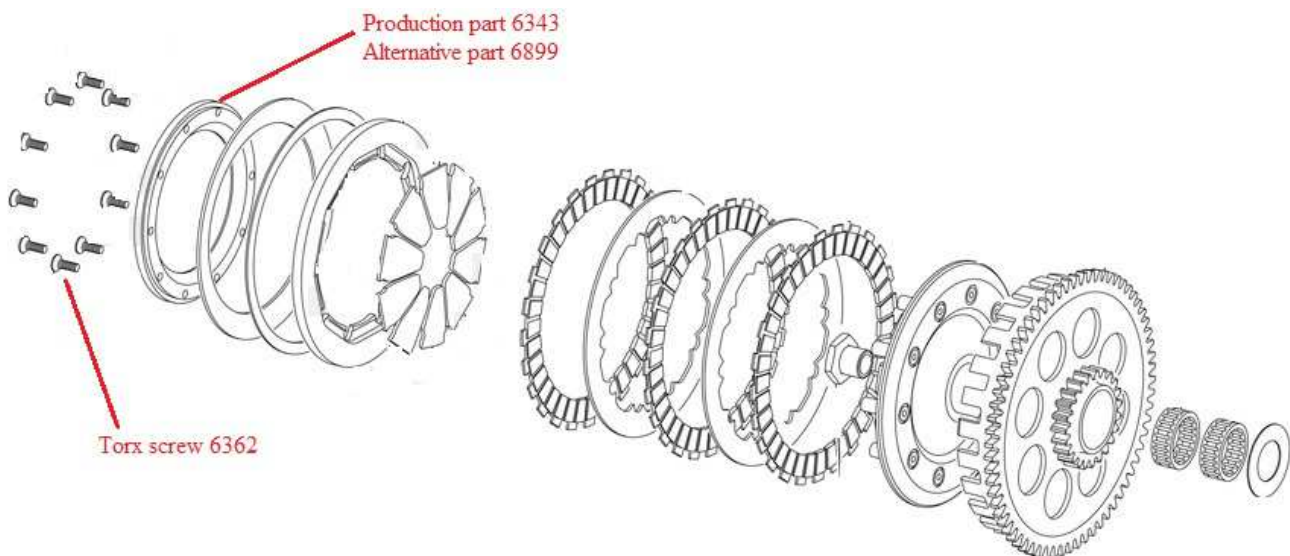
Information technique  
Technical information  
Información técnica

Document n°  
NT 97-01

**Subject: CLUTCH LEVER FORCE ADJUSTMENT**

**Date/Fecha  
20/12/2016**

**B. In the case that the clutch lever keep hard, you can replace the spring retainer 6343 by the reference 6899.**



## INSTALLATION PROCESS

1-DISMOUNT THE CLUTCH COVER

2-UNSCREW THE SCREW TORX 6362

3-REPLACE THE 6343 SPRING RETAINER BY THE NEW 6899

4-TIGHTEN THE 10 TORX SCREW UNTIL THE CONTACT OF THE PART 6899 AND AFTER WITH A TORQUE OF 0.5N.M

5-ASSEMBLE THE CLUTCH COVER